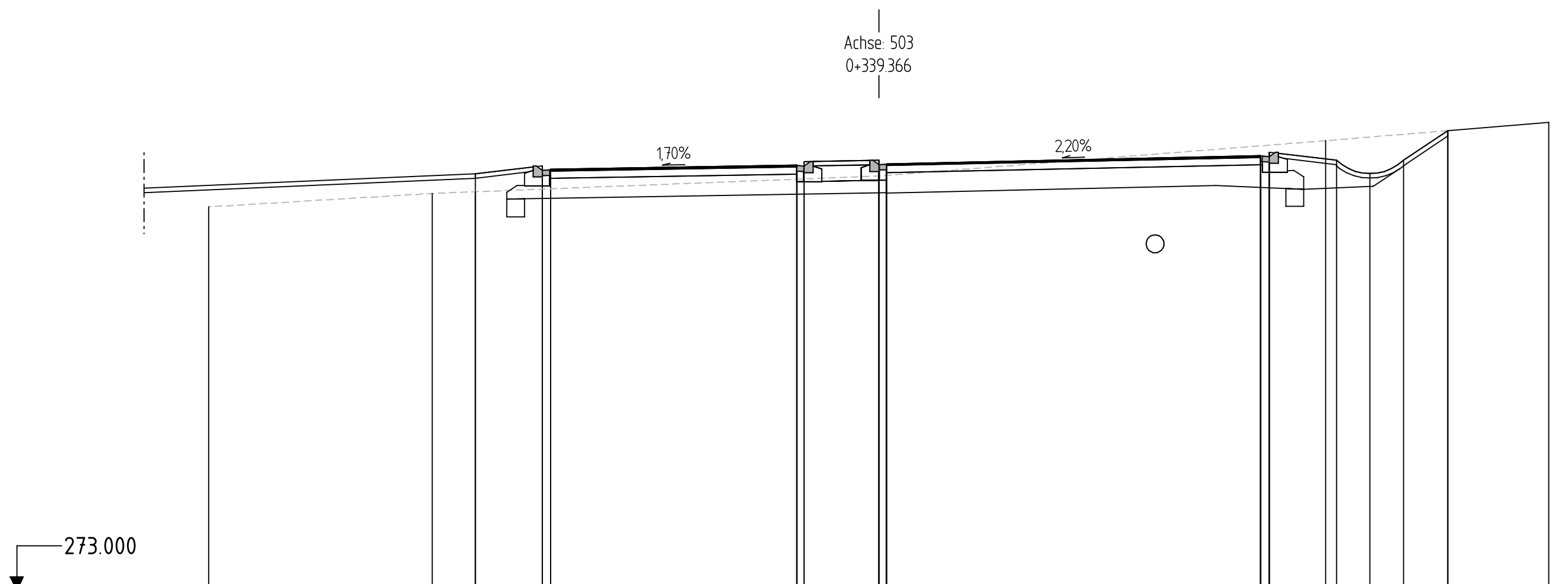


Achse: 503
0+339.366



Gelände	Höhe	281.587		281.888	281.926		282.279		283.069	283.294	283.480																	
	Abstand	-15.000		-10.000	-9.037		0.000		10.000	12.738	15.000																	
Deckenbuch	Höhe		282.506	282.406	282.417	282.427		282.521	282.511	282.501	282.601	282.630	282.530	282.540	282.550		282.734	282.724	282.712	282.812		282.632	282.332	282.632	283.294			
	Abstand		-7.537	-7.537	-7.351	-7.351		-1.837	-1.837	-1.677	-1.677	0.000	0.000	0.166	0.166		8.546	8.546	8.745	8.745		10.245	10.995	11.745	12.738			
Planung	Höhe		282.326	282.506	282.427		282.521	282.602	282.630	282.550		282.734	282.812	282.632	282.332	282.632												
	Abstand		-9.037	-7.537	-7.351		-1.837	-1.677	0.000	0.166		8.546	8.745	10.245	10.995	11.745	12.738											